

---

# Stiletto

Clampable, three-part door hinge

---



---

# Stiletto

Slim hinge, strong performances.

---



## DESCRIPTION

**Stiletto** is an **effective, clampable, three-part door hinge** for **Euronut profiles with a 14/18 mm and a 10/14 mm groove**.

## CHARACTERISTICS

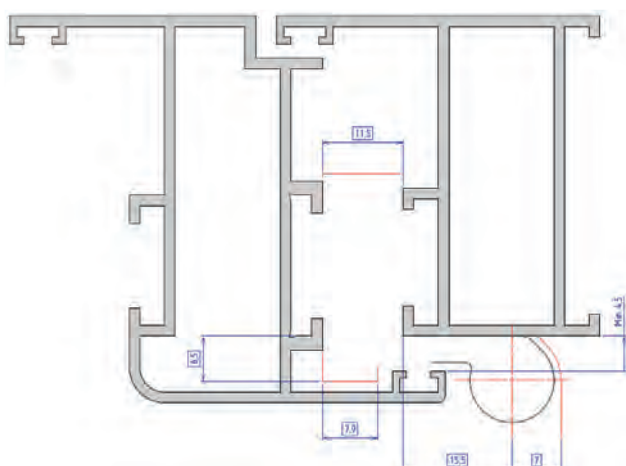
- **Hinge dimensions:** 160 mm H – knuckle: Ø 12 mm
- **1 height adjustment set** per door.  
To be ordered separately.
- **Application:**
  - For all open in and open out doors.
  - Can be used for balcony windows, in combination with window fittings.
- **Profile specifications:**
  - Minimum profile gap of 4.5 mm.
  - Sufficient space required for knuckle.
  - No profile preparations required.
- **Material:**
  - Hinge parts made from extruded aluminium.
  - Stainless steel and aluminium clamping plates.
  - Zinc alloy adjustment set.
  - Stainless steel screws (A2-70 cf. Aisi304).
  - Frame and vent bushes made from various synthetic materials.
- **Finishes:**
  - 450 RAL colours.
  - Textured coatings.
  - Various anodisation colours.
  - Stainless steel look.



14-18 mm



10-14 mm



---

## APPLICATION RANGE

### Doors

- **Vent heights** from 1800 to 3000 mm.
- **Vent widths** from 500 to 1400 mm.
- **Weights:**
  - Up to 140 kg with 2 hinges: normal use.
  - Up to 160 kg with 3 hinges (two on top, one at the bottom): intensive use.
  - Up to 200 kg with 4 hinges: intensive use.

### Side hung windows

- **Vent heights** from 500 to 2800 mm\*.
  - **Vent widths** from 500 to 1700 mm\*.
- \* Vent heights between 2400 & 2800 mm and vent widths between 1400 & 1700 mm can only be used after submitting the profiles for approval.
- **Weights:**
    - Up to 140 kg with 2 hinges: normal use.
    - Up to 160 kg with 3 hinges (two on top, one at the bottom): intensive use.
    - Up to 200 kg with 4 hinges: intensive use.

### Bottom hung windows

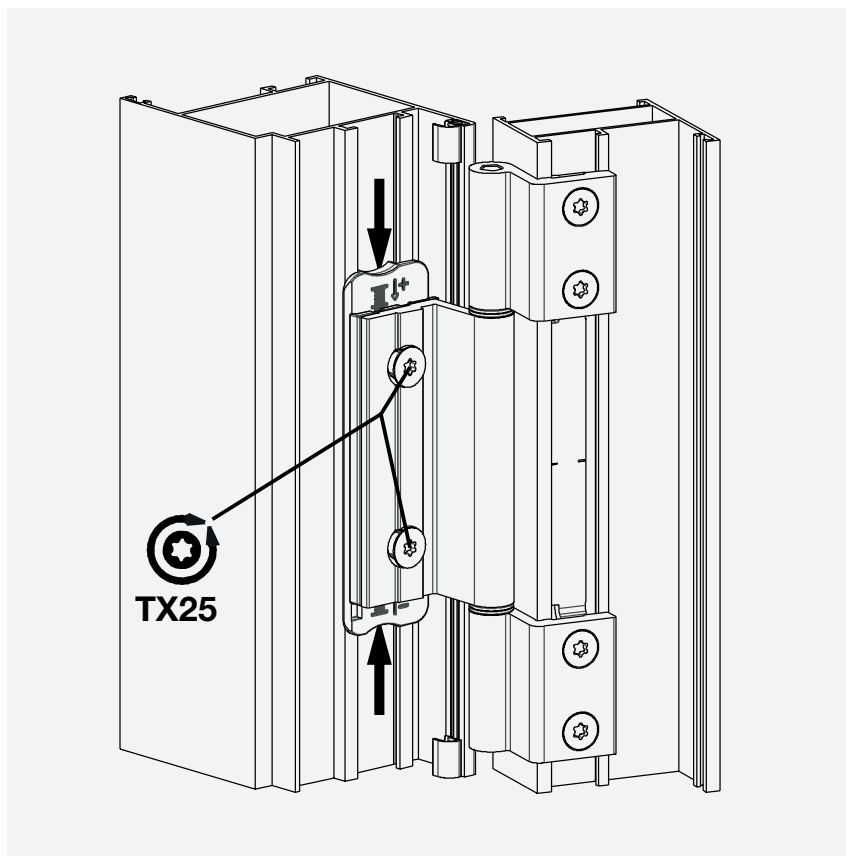
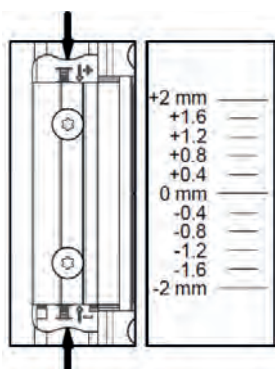
- **Vent heights** from 500 to 2400 mm.
  - **Vent widths** from 500 to 2400 mm.
    - From 1200 to 1800 mm: 1 extra hinge to maintain the seal.
    - From 1800 to 2400 mm: 2 extra hinges to maintain the seal.
  - **Weights:**
    - Up to 130 kg with 2 hinges. Always place the hinges at the height of the glass supports.
-



## ADJUSTMENT

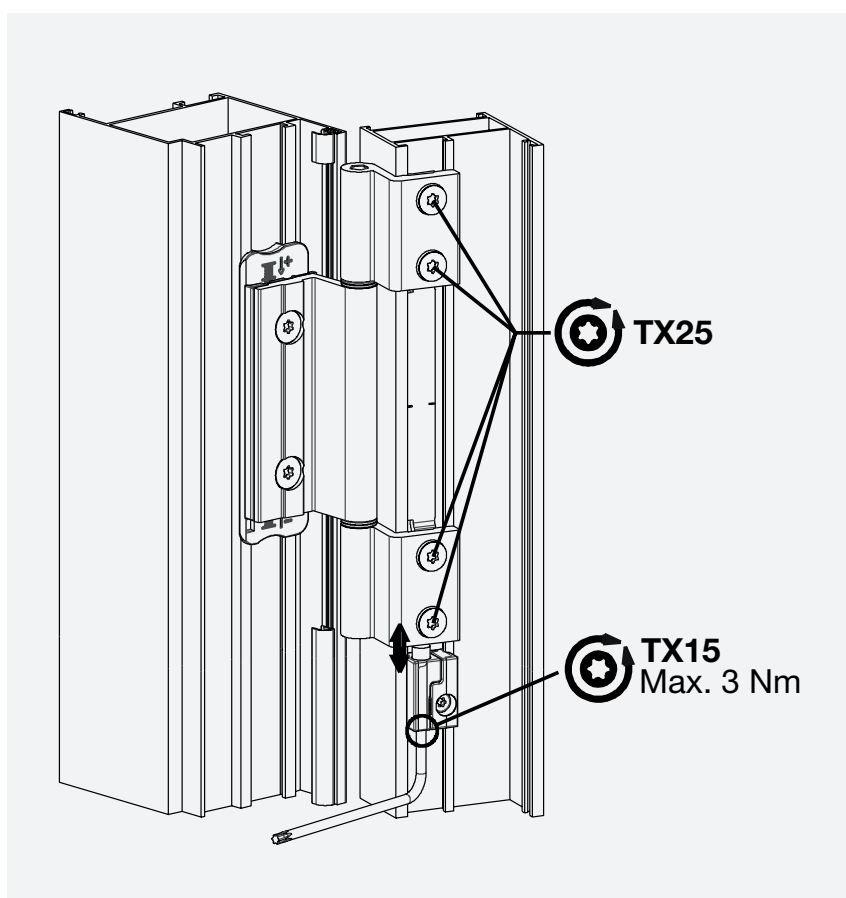
### Horizontal adjustment:

- Adjustment of +/- 2.0 mm.
- In steps of 0.4 mm.
- Loosen fixing screws.
- Slide adjustment manually.
- Tighten fixing screws.



### Height adjustment

- Variable adjustment of +/- 4.0 mm.
- Only 1 adjustment necessary per door.
- Loosen all frame part screws on all hinges.
- Adjust using a Torx key.
- Tighten all frame part screws.



## TESTS & RESULTS

Classification key:

4	7	6	0	1	5	0	13
---	---	---	---	---	---	---	----

**Use intensity:** class 4 = highest class.

**Durability:** class 7 = highest class = 200,000 cycles.

**Weight:** class 6 = second highest class = 120 kg.

**Corrosion resistance:** class 5 = highest class = 480 hours.

**Hinge class:** class 13 = second highest class.

Cycle tested up to 500,000 cycles.

Weight up to 200 kg.

Burglar resistance:

- SKG\*\*
- SKG\*\*\* possible in combination with anti-lift pins.



Security pins with reduced base





## ADVANTAGES

- Less losses\* due to **unique position of the knuckle** against the frame.
- Knuckle position closer to profile = **large effective adjustment range\*\***.
- **Efficient adjustment:**
  - Clearly defined indications for the adjustment of the hinge.
  - Height adjustment can be mounted afterwards.
  - Only one height adjustment per door required.
  - Better rebate, so no need for rebate adjustment.
- **Stable hinge due to three parts.**
- **Easy and efficient assembly:**
  - **Only two tools necessary for installation and adjustment (Torx keys T15 and T25).**
  - Axis can be assembled afterwards, no need to lift the vent.
  - Clamping of the axis in the vent part for easy assembly.
  - Frame part can be positioned afterwards.
- **Aesthetic design:**
  - Smaller knuckle.
  - Punch screw no longer visible after installing the vent part.

\*Losses = losses in gap size due to unsuitable profile combinations and construction connections.

\*\*Effective adjustment range = adjustment range to be used by constructor, meaning range without losses of the hinge.



**We are Sobinco. We get things done.** We specialise in the development and production of innovative locking systems and components for the aluminium windows and doors industry.

At Sobinco **the entire production process takes place under one roof.** In this way we are able to manage and control the value creation chain from start to finish. This gives us **great flexibility** and allows us **to attain sustainable results over the short term.**

**Innovation is our passion.** Our creativity, expertise and craftsmanship provide a guarantee of added value which translates into **high-quality products, easy assembly, modularity, sustainability and aesthetic comfort.**

Driven by this passion, **our team** at all times endeavours to **improve our current products and develop new ones.** To this end, we listen to the market and to our customers.

We use **high-quality materials** for our product development. These products are **exhaustively tested in line with the strictest of guidelines and quality requirements.** Every product must satisfy these as a minimum and their ratings often exceed the required standards.

We have a **strong customer focus.** Not only in the development of our products, but also in our after-sales support, during the installation process and even long afterwards.

Sobinco is a financially viable and high-tech environment where our specialists can focus on their strengths. With more than 60 years in the business, you can rest assured that we are a reliable partner, ready to seize the opportunity. Nevertheless, we remain approachable. In short, **a family atmosphere, where there is mutual respect** for management, customers, partners and employees.

**We are Sobinco. We get things done. We listen. We think in terms of opportunities. We are not afraid to roll up our sleeves.**

VAN PARYS FAMILY

PEOPLE

COMPLETE SERVICE

VERTICAL INTEGRATION

# Listen. Think. Do.

SUSTAINABLE GROWTH

INNOVATION

TOP QUALITY

FITTINGS FOR ALUMINIUM WINDOWS & DOORS

Waregemstraat 5 - 9870 Zulte - Belgium

T +32 9 388 88 81 - F +32 9 388 88 21

commercial@sobinco.com

[www.sobinco.com](http://www.sobinco.com)

**Sobinco**  
OPENS YOUR LIFE