
Side hung open out window

In combination with a lockcase



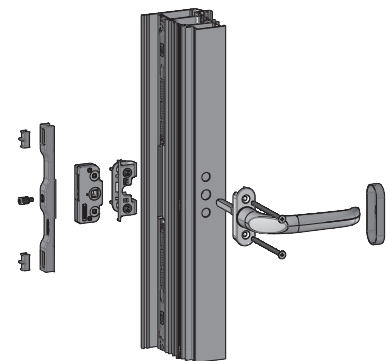
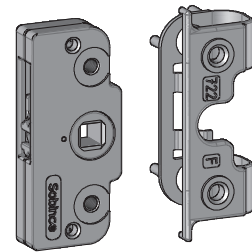
Sobinco
OPENS YOUR LIFE

DESCRIPTION

Practical and simple solution to provide **side hung open out windows** with the **Chrono fittings**.

CHARACTERISTICS

- This solution can be applied with **Chrono Standard and Chrono Plus**.
- Side hung open out windows are always **provided with certified window stay**:
 - Restricted opening and **safety against being blown open**
 - **Ventilation position** by a window stay
 - Detachable with special key
 - With **fall through safety**
- The lockcase can also be used **for pivot windows**.
- **Standards:**
 - Tested in accordance with EN13126-8
 - Tested 25,000 cycles - class 5 (30,000 cycles tested internally)
- **High corrosion resistance** - class 4 (240h)



SIZE RANGE

- **Vent width** Fb: 400-1400mm
- **Vent height** Fh: 616-2400mm
- **Vent weight:**
 - Visible and Chrono Invision Go hinges: 90 kg
 - Chrono Invision Pro hinges: 170 kg
- **Opening restriction:** 200 mm

ADVANTAGES

- The lockcase has been developed **for handles with square spindle of 7 mm**.
- Therefore the Sobinco handle design can be extended to **all window and door types**, resulting in more **uniform aesthetics**.
- The lockcase can be **combined with the Chrono base set** for side hung windows.
- **Quick assembly** of the lockcase using a clamping piece in synthetic material.
- The side hung open out window can be provided with the concealed Chrono Invision Pro and Chrono Invision Go hinges as well as the visible Chrono hinges.
- Various clamping pieces and drive pins so that this solution can be applied on a **wide range of profiles**.

