
Rollenband

Three-part door hinge



DESCRIPTION

The Rollenband is a **three-part screwable door hinge** for open in and open out doors with flush profiles. These hinges are **profile dependent** and will be developed on request.

The Rollenband door hinge can be covered with **stainless steel covers** to give it a different look-and-feel. The cover set can be installed easily by sliding the covers over the hinge parts and put the included larger lids on both ends of the hinge.



CHARACTERISTICS

- Vent weights up to **250 kg** (with 4 hinges and depending on the profile sections).
- Dimensions of the vent: up to **1.4 m wide and up to 3 m high**.
- Same hinge for left hand and right hand doors.
- Simple and efficient installation with **clamp pieces or clamping plates**.
- Manufactured from non-corroding materials.
- Available in different colour anodisations, stainless steel look and powder coated in more than 450 RAL colours.
- Maintenance-free with **self-lubricating synthetic bushes**.
- Meets the European standard EN 1935:2002/AC:2003 with the following classification:

4	7	6/7	0/1	1	4	0/1	13/14
---	---	-----	-----	---	---	-----	-------

- High corrosion resistance of grade 4 - EN1670.

ADJUSTMENTS

The hinges are **adjustable in two or three directions** without disassembling the door vent.

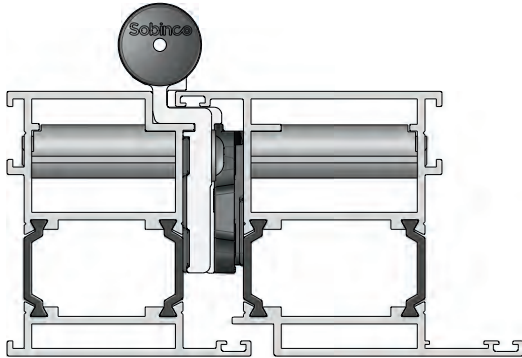
The cylindrical shape of the hinge is preserved because there is no offset between the frame part and the vent part during adjusting.

- Lateral adjustment (depending on type): -1.5 mm/+1.5 mm.
- Height adjustment: -4 mm/+4 mm.
- Gasket pressure adjustment (depending on type): 0/-0.5mm.

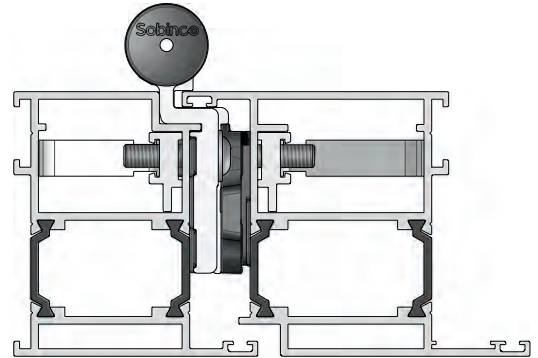
ADVANTAGES

- High weights.
- Large dimensions.
- Wide range adjustments.
- Easy installation.
- Easy to maintain.
- High quality.

APPLICATION EXAMPLE (OPEN IN DOORS)



With clamping pieces



With clamping plates

STAINLESS STEEL COVER SET



Sobinco **develops, produces and exports** a wide range of **aesthetic solutions** for the **easy operation** and **security** of **aluminium windows, doors and sliding doors**. Safety and aesthetic design are important aspects of the product development process, as are functionality, durability and quality. As a partner, Sobinco offers **extensive services**, from innovation in development, to flexibility in technical support and production planning, to delivery reliability for both **standard products** and **custom projects**. From our head office in Belgium, Sobinco products are exported to 60 countries around the world.



Sobinco products may be invisible to the consumer, they are nevertheless critical for the quality of the final product and contribute to creating a safe, comfortable and stylish living and working environment.



Waregemstraat 5 - 9870 Zulte - Belgium
T +32 9 388 88 81 - F +32 9 388 88 21
commercial@sobinco.com
www.sobinco.com

Sobinco
OPENS YOUR LIFE